

HDL[®] FastFix cable



Cabling made easy

With the FastFix cable, automation connections can be created instantly.

The HDL FastFix cable makes your automation installation fast, effective, and effortless by creating a plug and play connection.

By eliminating the painstaking process of wire stripping and crimping, your install time will not only be reduced, but the distribution box will be cleaner, tidier, and easier to service.



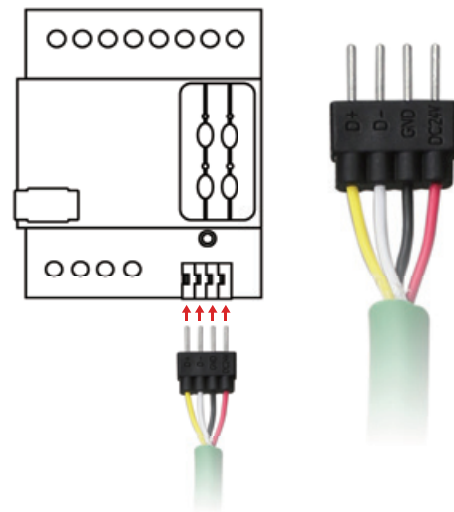
Traditional installation method



FastFix method

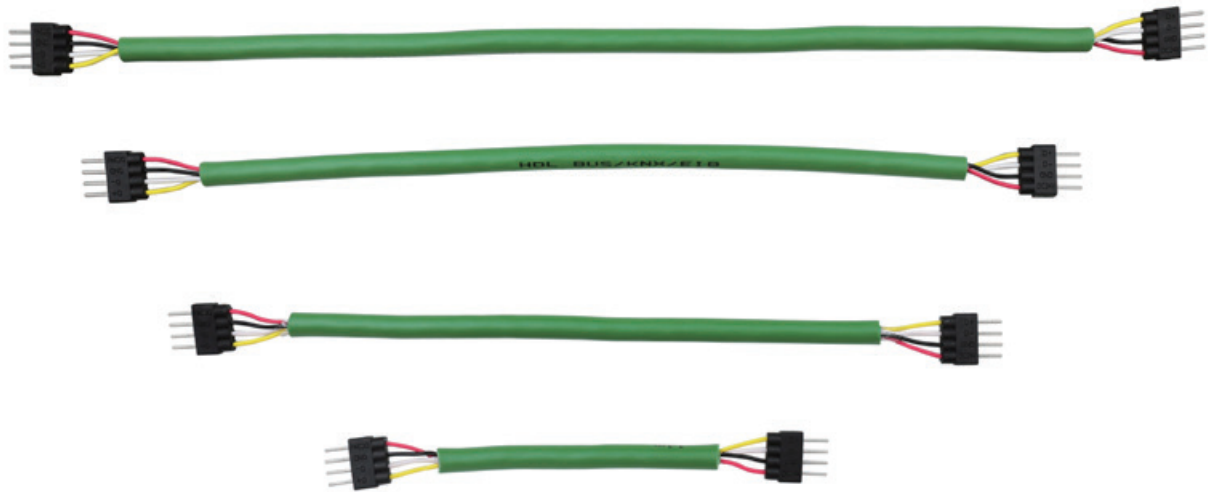
Convenient

Supporting a secure four pin connection, and coming in four standardized lengths, adding modules or creating a complete automation solution has never been so easy.



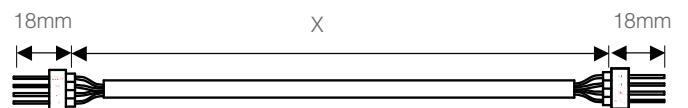
Compatibility

The HDL FastFix cable supports all module types, including dimmers, sensors, user interfaces, relays, actuators, and controllers.



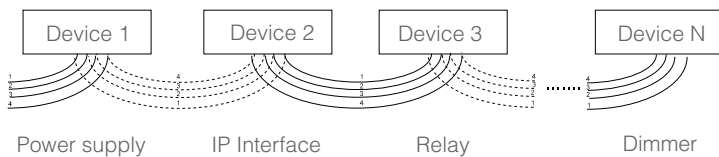
FastFix cable

HDL Flash cable	X (mm)
HDL-MCL16P.40	350
HDL-MCL12P.40	286
HDL-MCL08P.40	206
HDL-MCL04P.40	138



HDL-Buspro System Diagram

Recommended connection: hand in hand



HDL-Buspro Wiring Diagram