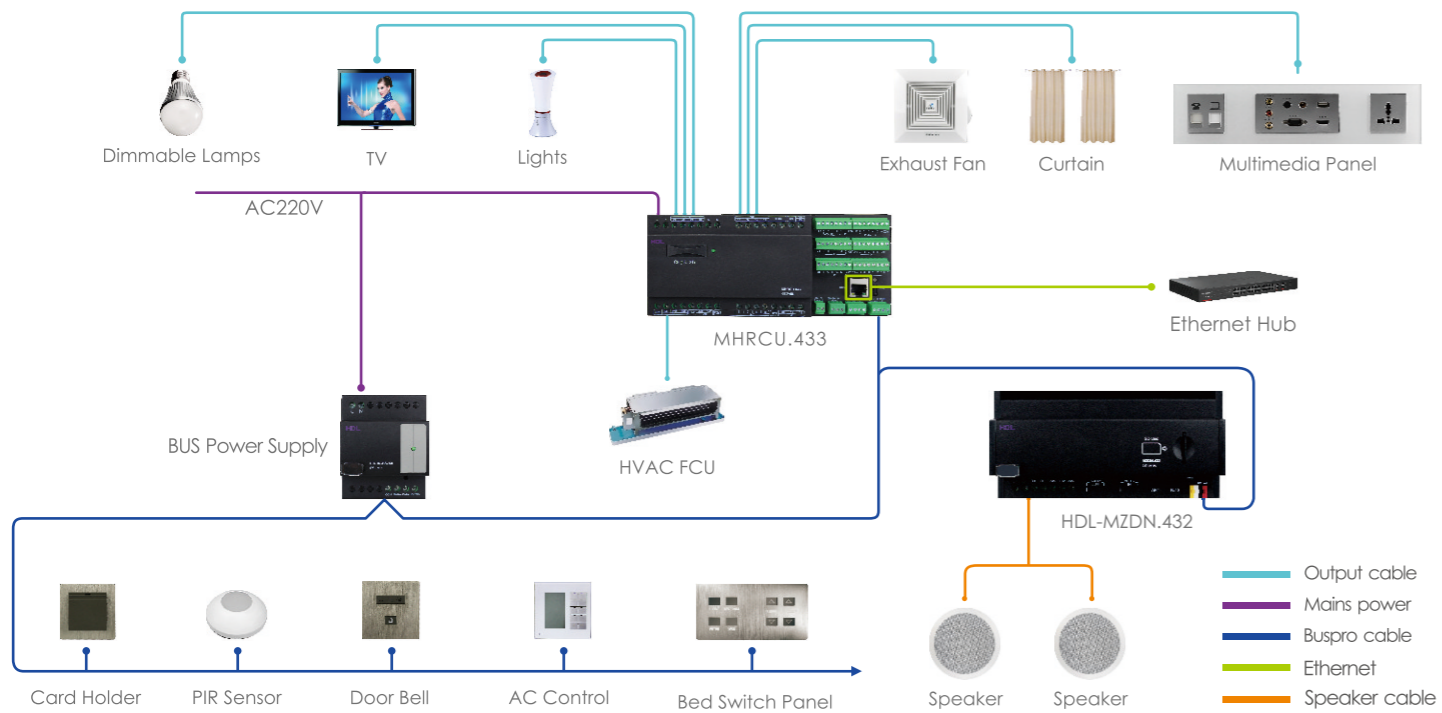
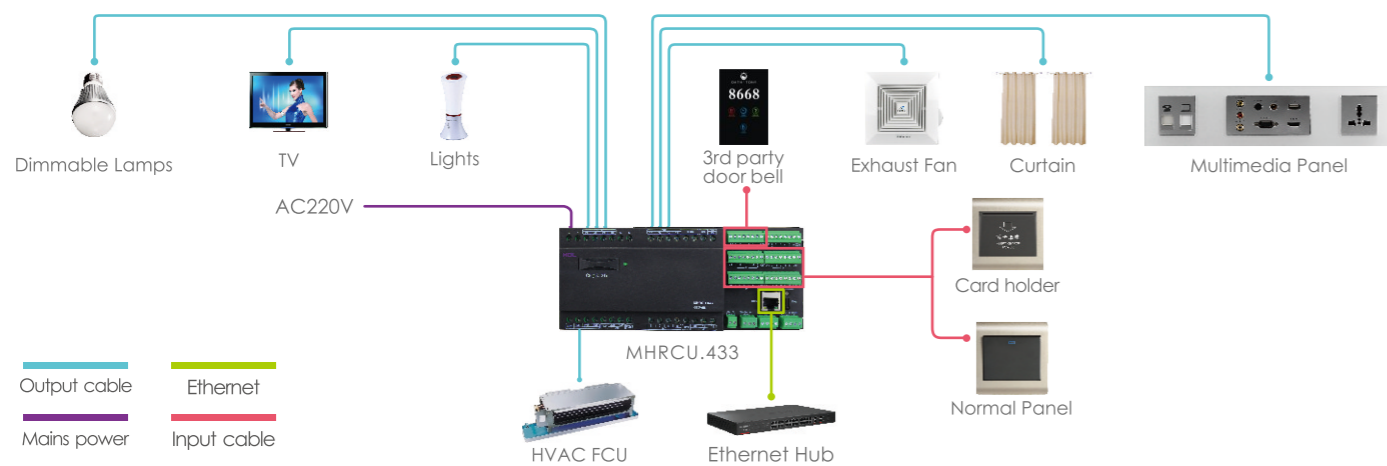


RCU SMART HOTEL GUEST ROOM SOLUTIONS

ADVANCED INSTALLATION



STANDARD INSTALLATION



RCU HOTEL GUEST ROOM CONTROL UNIT

MHRCU.433





MHRCU 433

PRODUCT DESCRIPTION

The RCU is a new generation of hotel Guest Room Control Unit which supports Hotel Host control, Mix control, Dry contact, doorbell functions, and LED indication functions. With 48 channels hotel management software can control and monitor different targets and devices, from panels, curtains, lamps, fans, and air conditioning, to a multitude of other appliances.



PARAMETERS

Electric Parameters

- Working Power: DC20-30V
- Static Power Consumption: 60mA/DC24V
- Dynamic Power Consumption: 300mA/DC24V
- Signal Input: Buspro, RJ45, INNER-BUS
- RJ45 Port: RJ45-TCP/IP Ethernet port
- TRIAC: 16A TRIAC, the Minimum load is 30w

Product Information

- Approved: CE
- Dimensions: 216×90×56 (mm)
- Installation: 35mm DIN Rail

KEY FUNCTIONS

All In One

This multifunctional unit is capable of mixed relay output, dry contact input, dual communication protocols, and doorbell functions. It can also control and monitor different targets and devices such as panels, curtains, doorbell, lamps, fans, and air conditioning, etc.

Dual Interfaces

Both RJ45 and HDL Buspro interfaces are supported. The RJ45 IP interface enables the unit to connect to the existing Ethernet network in a hotel; this allows the hotel property management system and the hotel management software to share check-in/check-out data, and other valuable information. The HDL Buspro interface is used to connect modules in the HDL Buspro network like panels, doorbells, and sensors, etc.

Relay Output

The RCU module can output 17 channels at either 5A or 10A. These outputs enable the control of incandescent lamps, halogen lamps, and low voltage halogen lamps.

Doorbell Functionality

Doorbell LED indication is supported and controlled via 5 dedicated channels from the RCU, this enables the doorbell to display the room number, laundry, cleaning, and DND status.

Dry Contact Input

A total of 24 dry contact inputs can be used as control targets via the hotel management software. This enables the dry contact inputs to work with the LED outputs to manage and control 3rd party doorbells.



INTERFACE DIAGRAM

